



Preliminary

HD NETWORK CAMERA

VN-H37U/H57U Series

**SD Card Operation Manual
(Settings Supplement)**

Contents

| | |
|--|----|
| ■Precautions for using SD cards | 2 |
| ■SD Cards | 3 |
| ■Built-in Viewer Screen Configuration | 5 |
| ■SD Card Playback Screen | 6 |
| ●Video control menu | 9 |
| ■Basic Setting2 Page | 10 |
| ■SD Card Record Page | 12 |
| ■Recording Time for SD Card Recording Function | 18 |
| ●Recording time table | 18 |
| ■Additional Cautions | 19 |
| ●Cautions for setting the detection function | 19 |
| ●Cautions for changing the encoding setting | 19 |
| ●Checking the software version | 19 |
| ■Troubleshooting | 20 |

This camera supports SD card recording and playback functions with V4.00 firmware and above.
Read this manual carefully before using SD card recording and playback functions.

This manual contains instructions for the SD card recording function and operations.

■ Precautions for using SD cards

- Do not insert anything into the camera.
 - If anything other than an SD card is inserted into the SD card slot, it may cause a fire, electrical shock or failure of the unit.
- Before turning the camera off or removing the SD card, be sure to set the SD card setting to [Disable].
(☞ Page 13)
If you turn the camera off or remove the SD card while data is being written to the SD card, data stored on the SD card becomes corrupt.
- If the data in an SD card becomes corrupt, it will be automatically repaired when the camera starts up. This repair function enables the card to be written to again; it does not repair corrupted video data.
- If data is damaged excessively, [format the SD card](#) again. In such a case, the recorded data is completely deleted.
- Do not use or store SD cards in a place where they may be affected by static electricity or electrical noise.
- Insert the SD card in the correct direction. If you insert the SD card in the incorrect orientation, the camera or the card may be damaged. (☞ Page 3)
- Our company will not be liable for damages arising out of data loss due to an unexpected accident. (Please back up your data.)
- Use this unit under the stated conditions of use. Do not use this unit in the following locations.
A location exposed to direct sunlight, near a heated appliance, inside a closed car in a sunny environment, in a humid place, or a corrosive environment, etc.
- Do not bend or drop this unit, and do not subject this unit to strong impact or vibration.
- Do not moisten this unit with water.
- Do not touch the card connectors.
- If you format or delete data using the camera's functions, only the file management information is changed. The data is not erased completely. If you wish to completely delete the data, use commercially available data erasing software or physically destroy the SD card using a hammer or other device.
- If the SD card degrades, you may be unable to write to it. By reformatting the SD card, you may be able to continue using it temporarily.
- Do not disassemble or modify the SD card.
- Do not let dust, dirt, liquid, or other foreign objects come into contact with the connectors.
- Do not peel the label off of the SD card, or attach any other label or sticker to the SD card. This may result in damage.
- Do not use a pencil or ballpoint pen when writing on the SD card. Be sure to use an oil-based pen.

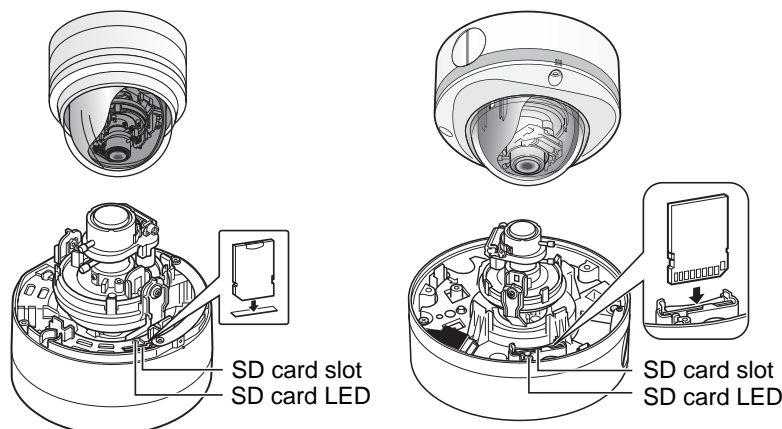
■ SD Cards

This unit can record the images you shoot in an SD card (sold separately) inserted in the card slot.

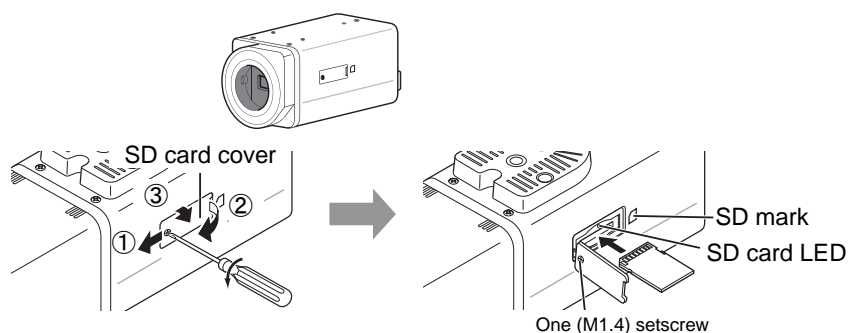
Memo:

- If the SD card's switch is set to "Lock", recording and playback cannot be performed. Make sure there is no critical data on the SD card before disengaging the lock.
- If you insert the SD card in the incorrect direction, the camera or the card may be damaged. Always check that the card has been inserted in the correct direction as shown in the illustration of the SD card slot.

When using VN-H237U/H257U/ H237VPU/H257VPU



When using VN-H37U/H57U/H137U



Follow the steps below to insert an SD card.

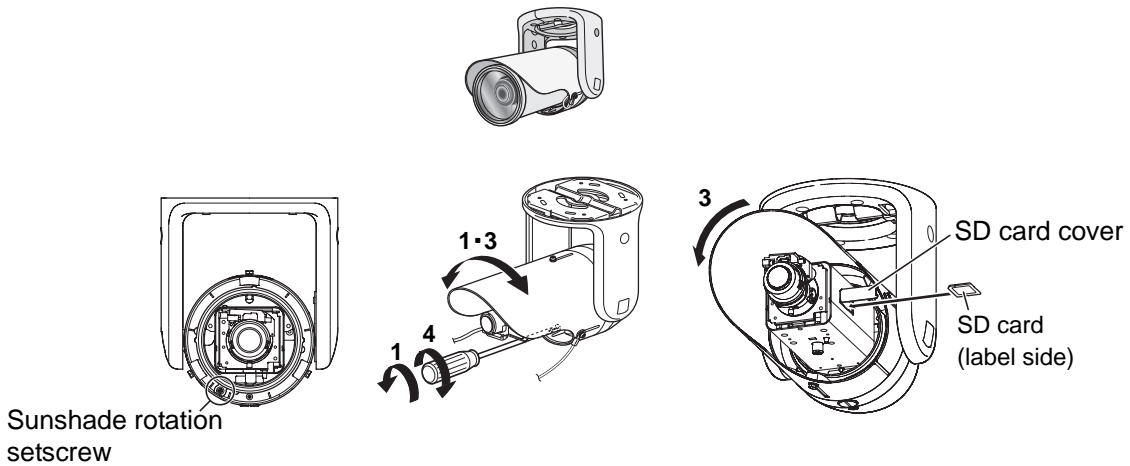
1. Loosen the setscrew (1) by rotating it about 3 times, and then open the SD cover.

Note:

- Rotating the setscrew 10 times or more may cause it to fall out.

- ①Lift the setscrew side of the SD cover slightly from the camera body.
※You can pull the setscrew up by its edge to keep it suspended.
 - ②Slide the SD cover to the direction of the setscrew side.
 - ③Lift and open the side with a slit of the SD cover from the camera body.
2. Insert the SD card into the slot until it clicks.
 3. Close the SD cover, and retighten the setscrew.
-

When using VN-H157WP



Follow the steps below to insert an SD card.

1. Loosen the screw at the bottom of the camera, and rotate the sunshade enough so that the SD card can be inserted.
2. Perform insertion (or removal) of the SD card.
(If an SD card cover is attached, pull it off to remove it.)
3. Return the sunshade to its original position.
4. Fasten the screw after the adjustment.

Memo:

- If the sunshade cannot be rotated because it is difficult to access, turn the camera before performing this procedure. After finishing, return the camera to its original angle, verify the camera image, and readjust settings if necessary.
-

Use the following SD cards.

SDHC cards (4 to 32 GB) of Class 10 or above

Use SD cards with a guaranteed operation temperature of 85 °C or higher.

The following SD cards are confirmed to function correctly with this camera:

- Panasonic : RP-SDW04GJ1K
 - Toshiba : SD-FX004G
 - SanDisk : SDDSDX-004G-J95
- Operation of all SD cards that meet the above conditions is not guaranteed.

Memo:

- Do not leave the SD card slot cover open for a long period of time. Dust may enter inside and cause malfunctions. (VN-H37U/H57U/H137U only)
 - Make sure to set [SD Card] on the Record page to [Disable] before removing an SD card or turning off this camera. (☞ Page 13)
 - When using an unsupported SD card, it can be set to record, but recording errors may occur.
 - You can easily remove the SD card by lightly pushing it inward to release the lock. The SD card may pop out when you eject it. Exercise care not to lose it.
 - Some SD cards on the market may be difficult to remove from the camera body. After the card has been inserted and removed several times, it will be easier to remove.
 - Turn off camera before inserting or changing the SD card.
-

■ Built-in Viewer Screen Configuration

Start the Built-in Viewer by entering the IP address of the camera in the address bar of Internet Explorer.



| No. | Item | Description |
|-----|---------|--|
| ① | SD Card | <p>Press the [SD Card] button to display the SD Card Playback Screen.</p> <p>Memo: _____</p> <ul style="list-style-type: none"> ● If you log in with only user privileges, the [SD Card] button becomes unselectable, and SD card playback cannot be performed. <p>_____</p> |
| ② | REC | The REC icon is displayed while recording to an SD card. |

■ SD Card Playback Screen

This is displayed when you click [SD Card] on the Built-in Viewer screen.

You can play video files stored in the SD card.



Memo:

- Video recorded to an SD card cannot be output from the camera's [MONITOR] terminal.

| No. | Item | Description |
|-----|------------------------------|---|
| ① | MENU ON / MENU OFF | Displays / hides the operation menu. Click [MENU ON] to display the menu on the left side of the page. |
| ② | Video control menu | Controls the video playback state. For an explanation of each button, see "Video control menu". (☞ Page 9) |
| ③ | Specified Time Playback menu | Specify the date and time before starting playback. [Playback] button Press the [Playback] button to play videos recorded at the specified date and time. Memo: _____ <ul style="list-style-type: none"> ● If there is no video recorded for the specified date and time, video near that date and time will be played. ● When playing video while recording, video recorded within 5 minutes of the current time cannot be viewed. |

| No. | Item | Description |
|-----|-----------------------------|---|
| ④ | Event List Playback menu | <p>Displays a list of search results for recorded videos filtered by time and event trigger. Select the item from the displayed list that you want to play and begin playback.</p> <p>From/To Displayed videos will be limited to those recorded between the 2 times that you specify.</p> <p>Event Type Displayed videos will be limited to those of the event trigger* type that you specify.</p> <p>* Event Trigger: Pin Input1 Make, Pin Input2 Make, Motion Detection, Position, Day/Night, Audio Detection1, Audio Detection2 (VN-H57U/H257U/H257VPU/H157WPU only), Tampering Detection, Time</p> <p>Memo: _____</p> <ul style="list-style-type: none"> ● Depending on the camera model, you may be unable to select the event trigger. ● A starting event for continuous recording cannot be specified. <hr/> <p>[Search] button A list of search results based on the search parameter that you add a check to is displayed. If no search parameter is checked, all events are displayed.</p> <p>Event List Displays a list of recording start dates/times with the event type in chronological order from the newest event.</p> <p>[Prev] / [Next] buttons A maximum of 100 results can be displayed on 1 page. Press [Prev] to move to pages with newer recording start dates/times, and press [Next] to move to pages with older recording start dates/times.</p> <p>[Playback] button Select an event from the list and press the [Playback] button to start playback.</p> <p>Note: _____</p> <ul style="list-style-type: none"> ● When an event is finished playing, the next event is automatically played back. (The list marker in the list does not move to the next event displayed in the list.) ● If you record over the recording start date/time of a video, the event disappears from the list. You can still play portions of the video that have not been overwritten by using the [Specified Time Playback] menu. |

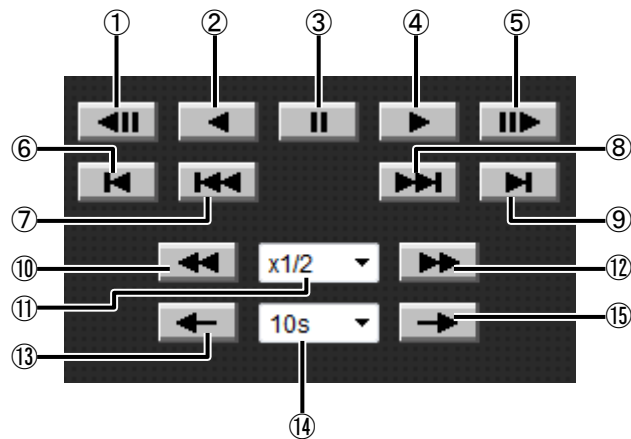
| No. | Item | Description |
|-----|----------------------|---|
| ⑤ | Export menu | <p>Video from the specified [From] date/time to the [To] date/time is saved to your computer. The save location can be specified in [Viewer Setup] - [Other] - [Video Export Folder] via the Built-in Viewer screen.</p> <p>Note: _____</p> <ul style="list-style-type: none"> ● Depending on the camera's internal recordings, a saved video may be split up as multiple files. ● For using saved video files, refer to the following URL. http://www3.jvckenwood.com/english/pro/vnetworks/index.html <hr/> <p>[IN] button Specifies the start time of the video being played.</p> <p>[OUT] button Specifies the end time of the video being played.</p> <p>[Export] button After pressing this button, the confirmation screen is displayed, and then the video saving process begins. While saving videos, this button changes to [Cancel].</p> <p>Memo: _____</p> <ul style="list-style-type: none"> ● While saving videos, the Built-in Viewer screen cannot be switched. ● Saving may take time depending on the date/time range that you specify. Progress is displayed at the top of the screen. <hr/> <p>[Cancel] button After clicking the [Export] button, this cancels the save operation for the images being output. The file created contains the data written until the point when you press the button.</p> <p>Memo: _____</p> <ul style="list-style-type: none"> ● When the export process is stopped, this button changes to [Export]. ● When the time required for exporting video to a computer is less than 5 seconds, this button has no effect. |
| ⑥ | [Live] button | Switches to the Built-in Viewer screen. |
| ⑦ | Playback indications | Displays playback conditions. |
| ⑧ | Time Stamp | Shows the recording date and time of the video currently playing. |
| ⑨ | Display Time | You can enable/disable the display of the recording time during playback. |
| ⑩ | Display Size | Sets the display size of the image area. [Set values: Fixed, Variable] |
| ⑪ | Video display area | Displays the recorded video. |
| ⑫ | Time Stamp | Shows the recording date and time of the video currently playing. [⑨Display Time] is used for setting whether or not to display this. |

* The [Set values] in bold letters are factory defaults.

Memo: _____

- SD card playback from 1 camera cannot be performed to multiple viewers.

● Video control menu



| No. | Item | Description |
|-----|------|--|
| ① | | Returns to the previous frame, and then pauses playback. |
| ② | | Starts reverse playback. |
| ③ | | Pauses playback. |
| ④ | | Starts playback. |
| ⑤ | | Advances to the next frame, and then pauses playback. |
| ⑥ | | Returns to the oldest frame, and then pauses playback. |
| ⑦ | | Jumps to the previous alarm event video. |
| ⑧ | | Jumps to the next alarm event video. |

| No. | Item | Description |
|-----|------|--|
| ⑨ | | Advances to the most recent frame, and then pauses playback. |
| ⑩ | | Reverses the playback position. |
| ⑪ | | Selects the fast-forward and reverse speeds. [Set values : x1/2, x1, x3, x10, x30, x60] |
| ⑫ | | Fast-forwards the playback position. |
| ⑬ | | Returns by the specified length of time, and then pauses playback. |
| ⑭ | | Selects the length of time to move. [Set values : 10s, 15s, 30s, 1m, 10m, 30m, 1h, 6h, 12h, 24h] |
| ⑮ | | Advances by the specified length of time, and then pauses playback. |

* The [Set values] in bold letters are factory defaults.

Memo:

- For playback from an SD card, use [Specified Time Playback] menu or [Event List Playback] menu (☞ Page 7) to select the recorded video to play.
- When playback of an event finishes, playback of the next event starts automatically.
- Buttons other than button ④ and button ⑤ are only used with I-frame playback.
- Button ⑦ and button ⑧ are only used to jump to alarm event videos. You cannot jump to a continuous recording event.
- A maximum of 1 second of calculation error from the specified time set via button ⑭ may occur when jumping using button ⑬ and button ⑮.

■ Basic Setting2 Page

This page sets fundamental camera and encoding parameters.

This page can be used during access using "admin" or "operator".

Click [Basic Setting2].

OK Cancel Keep power to camera at least for 10 seconds after change of settings.

Camera

Camera ID VN-H37 ①

Scenefile General ②

Lens

Lens Type 1 (TAMRON) ③

Encode

| | |
|--|---|
| <input type="radio"/> H.264 High 1920x1080 30 fps | 1920x1080, 30 fps, 8 Mbps, CBR, 30 I Frame Interval |
| <input checked="" type="radio"/> H.264 High 1920x1080 5 fps + Monitor Output | 1920x1080, 5 fps, 2 Mbps, CBR, 5 I Frame Interval |
| <input type="radio"/> JPEG 1920x1080 + Monitor Output | 1920x1080, 5 fps, 200 KB, AFS |
| <input type="radio"/> JPEG 1280x960 | 1280x960, 5 fps, 120 KB, AFS |
| <input type="radio"/> JPEG 640x480 | 640x480, 5 fps, 30 KB, AFS |
| <input type="radio"/> Set in "SD Card Record" Page | Jump and Set in "SD Card Record" Page |
| <input type="radio"/> Set in "Encoding" Page | Jump and Set in "Encoding" Page |

Encoder No.2 and No.3 will be OFF, when check it anything other than 'Set in "SD Card Record" Page' and 'Set in "Encoding" Page'.
You cannot change encode settings during multicast streaming.
You cannot change encode settings during SD card recording.

Memo:

- If you enter the following URL directly into the address bar of Internet Explorer, you can open the [Basic Setting2] page without going through the Built-in Viewer.
<http://192.168.0.2/cgi-bin/display.cgi?basicmenu2.html>
- Press the [OK] button to enable the new settings.
- If the [OK] button is pressed upon entering an invalid value, a warning message will appear and the entry will be denied. Press the [Cancel] button to restore the invalid entry to the value before the change was made.
- "H.264 High" indicates the H.264 High Profile standard.

| No. | Item | Description | | | | | | | | | | | | | | | | | | | | | | | | | | | | | | | | | | | | | | | | | | | | | | | | | | | | | | | | |
|-----|--|--|--------------|-----------------------------|-------------|---------------------|-----------------------------|-------------|---------------------|---|--------------------------------|-----------|--------|--------|-----|-----------|---|--|------------------|--------------|---------------|------------|-----------------|---|------------------------------------|-----------|-------|--------|-----|---|---|---------------|----------|-------|--------|-----|---|---|--------------|---------|-------|-------|-----|---|---|---------------------------------|--|--|--|--|--|---|------------------------|---|--|--|--|--|
| ① | Camera ID | Refer to the "Instructions (Setting)" of the supplied CD-ROM. | | | | | | | | | | | | | | | | | | | | | | | | | | | | | | | | | | | | | | | | | | | | | | | | | | | | | | | | |
| ② | Scenefile | | | | | | | | | | | | | | | | | | | | | | | | | | | | | | | | | | | | | | | | | | | | | | | | | | | | | | | | | |
| ③ | Lens Type | | | | | | | | | | | | | | | | | | | | | | | | | | | | | | | | | | | | | | | | | | | | | | | | | | | | | | | | | |
| ④ | Encode | <p>Select the frame size for each screen of JPEG and H.264 from the following six patterns.</p> <p>■ Selectable distribution size</p> <table border="1"> <thead> <tr> <th></th> <th>Set value</th> <th>Frame Size</th> <th>Frame Rate</th> <th>Commu- nication speed</th> <th>Bit rate</th> <th>I Frame Interval</th> </tr> </thead> <tbody> <tr> <td>1</td> <td>H.264 High 1920x1080 30 fps</td> <td>1920x1080</td> <td>30 fps</td> <td>8 Mbps</td> <td>CBR</td> <td>30 frames</td> </tr> <tr> <td>2</td> <td>H.264 High 1920x1080 5 fps + monitor output</td> <td>1920x1080</td> <td>5 fps</td> <td>2 Mbps</td> <td>CBR</td> <td>5 frames</td> </tr> <tr> <td>3</td> <td>JPEG 1920x1080 + monitor output</td> <td>1920x1080</td> <td>5 fps</td> <td>200 KB</td> <td>AFS</td> <td>—</td> </tr> <tr> <td>4</td> <td>JPEG 1280x960</td> <td>1280x960</td> <td>5 fps</td> <td>120 KB</td> <td>AFS</td> <td>—</td> </tr> <tr> <td>5</td> <td>JPEG 640x480</td> <td>640x480</td> <td>5 fps</td> <td>30 KB</td> <td>AFS</td> <td>—</td> </tr> <tr> <td>6</td> <td>Set in "SD Card Record" Page</td> <td colspan="5">Settings can be configured in the [SD Card Record] page.</td> </tr> <tr> <td>7</td> <td>Set in "Encoding" Page</td> <td colspan="5">Multi-encoding and details can be set on [Encoding] page.</td> </tr> </tbody> </table> | | Set value | Frame Size | Frame Rate | Commu- nication speed | Bit rate | I Frame Interval | 1 | H.264 High 1920x1080 30 fps | 1920x1080 | 30 fps | 8 Mbps | CBR | 30 frames | 2 | H.264 High 1920x1080 5 fps + monitor output | 1920x1080 | 5 fps | 2 Mbps | CBR | 5 frames | 3 | JPEG 1920x1080 + monitor output | 1920x1080 | 5 fps | 200 KB | AFS | — | 4 | JPEG 1280x960 | 1280x960 | 5 fps | 120 KB | AFS | — | 5 | JPEG 640x480 | 640x480 | 5 fps | 30 KB | AFS | — | 6 | Set in "SD Card Record" Page | Settings can be configured in the [SD Card Record] page. | | | | | 7 | Set in "Encoding" Page | Multi-encoding and details can be set on [Encoding] page. | | | | |
| | Set value | Frame Size | Frame Rate | Commu- nication speed | Bit rate | I Frame Interval | | | | | | | | | | | | | | | | | | | | | | | | | | | | | | | | | | | | | | | | | | | | | | | | | | | | |
| 1 | H.264 High 1920x1080 30 fps | 1920x1080 | 30 fps | 8 Mbps | CBR | 30 frames | | | | | | | | | | | | | | | | | | | | | | | | | | | | | | | | | | | | | | | | | | | | | | | | | | | | |
| 2 | H.264 High 1920x1080 5 fps + monitor output | 1920x1080 | 5 fps | 2 Mbps | CBR | 5 frames | | | | | | | | | | | | | | | | | | | | | | | | | | | | | | | | | | | | | | | | | | | | | | | | | | | | |
| 3 | JPEG 1920x1080 + monitor output | 1920x1080 | 5 fps | 200 KB | AFS | — | | | | | | | | | | | | | | | | | | | | | | | | | | | | | | | | | | | | | | | | | | | | | | | | | | | | |
| 4 | JPEG 1280x960 | 1280x960 | 5 fps | 120 KB | AFS | — | | | | | | | | | | | | | | | | | | | | | | | | | | | | | | | | | | | | | | | | | | | | | | | | | | | | |
| 5 | JPEG 640x480 | 640x480 | 5 fps | 30 KB | AFS | — | | | | | | | | | | | | | | | | | | | | | | | | | | | | | | | | | | | | | | | | | | | | | | | | | | | | |
| 6 | Set in "SD Card Record" Page | Settings can be configured in the [SD Card Record] page. | | | | | | | | | | | | | | | | | | | | | | | | | | | | | | | | | | | | | | | | | | | | | | | | | | | | | | | | |
| 7 | Set in "Encoding" Page | Multi-encoding and details can be set on [Encoding] page. | | | | | | | | | | | | | | | | | | | | | | | | | | | | | | | | | | | | | | | | | | | | | | | | | | | | | | | | |

* The [Set values] in bold letters are factory defaults.

■ SD Card Record Page

This page sets SD card recording settings.

This page can be used during access using "admin" or "operator".

Click [Advanced Settings] and [SD Card Record].

The screenshot shows the 'SD Card Record' configuration page. On the left is a navigation menu with 'SD Card Record' highlighted. The main area contains several sections:

- SD Card:** Includes 'SD Card' status (Use/Disable) and 'Format' status (Execute/Status: Formatted).
- SD Card Record:** Includes 'Record Status' (ON/OFF), 'Recording Mode' (Constant/Alarm), and 'Alarm Settings' (Trigger1, Interval, Trigger2, Position Number).
- Encode Setting:** A list of 8 recording patterns with their respective encoder specifications.

Numbered callouts (1-6) point to the following elements:

- SD Card Use/Disable radio buttons
- Format Execute button
- Record Status ON/OFF radio buttons
- Recording Mode Constant/Alarm checkboxes
- Alarm Settings Interval input field
- Encode Setting list

At the bottom, there are several notes:

- Set the status to "Disable" before removing SD card.
- Camera will restart after formatting SD card.
- FTP recording is disabled during SD card recording.
- SD card recording is not available until the formatted card is inserted.
- You cannot change encode settings during multicast streaming.
- Encode settings is Multi-Resolution [H.264 High].

Memo:

- If the status is "Read only" or "No insert", nothing can be selected other than the [OK] button or the [Cancel] button.
- When recording to FTP and you attempt to perform SD card recording settings, the display changes to a dialog for interrupting FTP recording and starting SD card recording is displayed. When you press the [OK] button, FTP recording stops and SD card recording starts. (☞ "Instructions (Setting)" – "Internet Explorer Setting" – "Advanced Settings" – "Storage Page")
- When recording to an SD card is enabled and you attempt to perform FTP recording settings, the display changes to a dialog for interrupting SD card recording and starting FTP recording is displayed. When you press the [OK] button, SD card recording stops and FTP recording starts.

| No. | Item | Description |
|-----|---------|---|
| ① | SD Card | <p>[Set values : Use, Disable]</p> <p>Check "Disable" and press the [OK] button to automatically set recording to OFF and stop recording.</p> <p>Check "Use" and press the [OK] button to enable all the SD card recording-related check boxes.</p> <p>Memo: _____</p> <ul style="list-style-type: none"> ● Video recorded to an SD card can be played via the SD card playback screen that is displayed by clicking the [SD Card] button on the Built-in Viewer screen. (☞ Page 6) ● Encoding settings cannot be changed while recording to an SD card. <hr/> <p>[Status : Disable, Use, Read only, No insert]</p> <p>Disable : Displayed when "Disable" is selected.</p> <p>Use : Displayed when "Use" is selected.</p> <p>Read only : Displayed when the SD card's switch is set to "Lock". Remove the SD card and disable the "Lock" in order to record and playback to the SD card.</p> <p>No insert : Displayed when the SD card is not inserted into the camera. Insert an SD card.</p> |

* The [Set values] in bold letters are factory defaults.

| No. | Item | Description |
|-----|--------|--|
| ② | Format | <p>This button is for executing a format of the SD card.</p> <p>[Status : Unformatted, Formatting, Formatted, ---]</p> <p>"---" is displayed when the SD card status display is not "Use".</p> <p>"Unformatted" is displayed when the SD card is not formatted, or when an unsupported class of SD card that cannot be formatted is inserted.</p> <p>The [Execute] button cannot be pressed (and becomes grayed out) when the SD card status display is not "Use".</p> <p>To enable the [Execute] button, select "Use" for the "SD Card" setting, click the [OK] button, and confirm that "Use" is displayed for the SD card status.</p> <p>When the [Execute] button is pressed, a confirmation window will appear. Press the [OK] button to begin formatting the SD card. The status becomes "Formatting" during formatting.</p> <p>After formatting the card, the format complete dialog is displayed and the camera restarts. The status becomes "Formatted".</p> <p>Press the [OK] button to close the screen.</p> <p>Memo: _____</p> <ul style="list-style-type: none"> ● Make sure to format the SD card with the camera before using it. Only SD cards formatted with the camera can be used. ● It takes approximately 1 minute to format a 32 GB SD card. ● Do not remove the SD card during formatting. ● Do not turn off the power while the card is being formatted. ● You cannot record to the SD card while it is being formatted. <hr/> <p>Note: _____</p> <ul style="list-style-type: none"> ● When changing the time of the camera via the following operations, first make sure to stop recording to the SD card. If times on the SD card for recorded video overlap due to changes in the camera's time, the camera may become unable to perform playback correctly. <ul style="list-style-type: none"> - When changing the time via "Setting the PC's time to the camera" (☞ "Instructions (Setting)" – "Internet Explorer Setting" – "Advanced Settings" – "Basic Setting1 Page") - When changing the time via "Time" and "Setting the PC's time to the camera" (☞ "Instructions (Setting)" – "Internet Explorer Setting" – "Advanced Settings" – "Time Page") - When changing the "Time Zone" setting (☞ "Instructions (Setting)" – "Internet Explorer Setting" – "Advanced Settings" – "Time Page") ● Playback search may not operate correctly for video with time that overlaps due to the time changes to and from Daylight Saving Time. By shifting this video via fast forward and fast reverse, playback is possible. ● The Sense Up function (☞ "Instructions (Setting)" – "Internet Explorer Setting" – "Advanced Settings" – "Camera Page") causes the frame rate of video recorded to the SD card to drop; therefore, the playback speed of recorded video may vary. |

* The [Set values] in bold letters are factory defaults.

| No. | Item | Description | | | | |
|----------|---|---|----------|------------------------------------|-------|---|
| ③ | Record Status | <p>[Set values : ON, OFF]</p> <p>[Status : No Recording, Recording]</p> <p>This is only enabled when the SD card status is "Use" and the format status is "Format complete".</p> <p>When recording, the status changes to [Recording]. When recording is stopped, the status changes to [Stopped]. When only alarm recording is selected, the status is [Stopped] at times other than when the alarm is engaged.</p> <p>Check "ON" and check one of the available settings in "Recording image quality settings" to begin continuous-loop recording to the SD card with the selected recording quality.</p> <p>Starts continuous-loop recording to the SD card with the selected recording quality.</p> <p>If you push [OK] when the encoding setting has not been set, the "Select an encoding setting." dialog is displayed and recording does not start.</p> <p>Select "OFF" and click the [OK] button to stop recording.</p> | | | | |
| ④ | Recording image quality | <p>To change the recording image quality, select "OFF" for ③ Record Status, push the [OK] button to stop recording, and then configure settings.</p> <p>If you push [OK] when the recording image quality has not been set, the "Set the recording mode." dialog is displayed and recording does not start.</p> <p>You can select either "Constant", "Alarm", or both settings.</p> <p>Memo: _____</p> <ul style="list-style-type: none"> ● When the record status is "ON", the setting for Recording image quality cannot be changed. <hr/> <table border="1" data-bbox="256 1227 1437 1792"> <tr> <td data-bbox="256 1227 453 1294">Constant</td> <td data-bbox="453 1227 1437 1294">Constantly records to the SD card.</td> </tr> <tr> <td data-bbox="256 1294 453 1792">Alarm</td> <td data-bbox="453 1294 1437 1792"> <p>SD card recording is performed when conditions set for the alarm setting items are met. The alarm event recording interval for when an alarm is triggered is from 60 seconds before the trigger (pre-trigger) to 60 seconds after the trigger (post-trigger), for a total of 120 seconds.</p> <p>Memo: _____</p> <ul style="list-style-type: none"> ● Even if another trigger is detected within 60 seconds of the first trigger, it will not appear in the event list. ● If another trigger is detected during alarm recording, recording is extended 60 seconds from the original end point. ● If less than 60 seconds have passed since video recording was initially started, the pre-trigger time will be less than 60 seconds. </td> </tr> </table> | Constant | Constantly records to the SD card. | Alarm | <p>SD card recording is performed when conditions set for the alarm setting items are met. The alarm event recording interval for when an alarm is triggered is from 60 seconds before the trigger (pre-trigger) to 60 seconds after the trigger (post-trigger), for a total of 120 seconds.</p> <p>Memo: _____</p> <ul style="list-style-type: none"> ● Even if another trigger is detected within 60 seconds of the first trigger, it will not appear in the event list. ● If another trigger is detected during alarm recording, recording is extended 60 seconds from the original end point. ● If less than 60 seconds have passed since video recording was initially started, the pre-trigger time will be less than 60 seconds. |
| Constant | Constantly records to the SD card. | | | | | |
| Alarm | <p>SD card recording is performed when conditions set for the alarm setting items are met. The alarm event recording interval for when an alarm is triggered is from 60 seconds before the trigger (pre-trigger) to 60 seconds after the trigger (post-trigger), for a total of 120 seconds.</p> <p>Memo: _____</p> <ul style="list-style-type: none"> ● Even if another trigger is detected within 60 seconds of the first trigger, it will not appear in the event list. ● If another trigger is detected during alarm recording, recording is extended 60 seconds from the original end point. ● If less than 60 seconds have passed since video recording was initially started, the pre-trigger time will be less than 60 seconds. | | | | | |

* The [Set values] in bold letters are factory defaults

Alarm recording-related setting items are displayed when "Alarm" is selected.

| No. | Item | Description | | | | | | | | |
|--|--|--|----------|--|--|--|--|---|-----------------|---|
| ⑤ | Alarm Settings | <table border="1"> <tr> <td data-bbox="256 280 454 1025">Trigger1</td> <td data-bbox="454 280 1444 1025"> <p>Select the 1st trigger to perform an action.</p> <p>When using VN-H57 series</p> <p>[Set values: Pin Input1 Make, Pin Input1 Break, Pin Input2 Make, Pin Input2 Break, Position, Audio Detection1, Audio Detection2 (VN-H57U/H257U/H257VPU/H157WPU only), Motion Detection, Tampering Detection, Day/Night, Time]</p> <p>When using VN-H37 series</p> <p>[Set values: Position, Motion Detection, Tampering Detection, Time]</p> <p>Memo: _____</p> <ul style="list-style-type: none"> ● The trigger for [Trigger1] must first be set to "ON" in the respective [Advanced Settings] configuration page. ● If you set the [Trigger2] to "Disable", an action will be performed when only [Trigger1] is triggered. (VN-H57U/H257U/H257VPU/H157WPU only) ● When "Audio Detection1", "Audio Detection2", "Motion Detection", "Position", "Tampering Detection", "Day/Night", or "Time" is selected for the [Trigger1] trigger, [Interval] and [Trigger2] cannot be selected. (VN-H57U/H257U/H257VPU/H157WPU only) </td> </tr> <tr> <td data-bbox="256 1025 454 1417">Interval (VN-H57U/H257U/H257VPU/H157WPU only)</td> <td data-bbox="454 1025 1444 1417"> <p>This is available when both [Trigger1] and [Trigger2] are set.</p> <p>Specify the maximum interval between each trigger for [Trigger1] and [Trigger2]. An action will be performed if [Trigger2] occurs within the maximum time interval after [Trigger1] occurs.</p> <p>[Set values: 1 – 3600] sec</p> <p>Memo: _____</p> <ul style="list-style-type: none"> ● If you set an invalid value, the "Invalid value" dialog is displayed. ● If you leave a value blank, the "Blank value" dialog is displayed. </td> </tr> <tr> <td data-bbox="256 1417 454 1608">Trigger2 (VN-H57U/H257U/H257VPU/H157WPU only)</td> <td data-bbox="454 1417 1444 1608"> <p>Select the 2nd trigger to perform an action.</p> <p>[Set values: Disable, Pin Input1 Make, Pin Input1 Break, Pin Input2 Make, Pin Input2 Break]</p> </td> </tr> <tr> <td data-bbox="256 1608 454 1906">Position Number</td> <td data-bbox="454 1608 1444 1906"> <p>Enabled when "Position" is set for the trigger for [Trigger1].</p> <p>Perform registration of position numbers via the Built-in Viewer's "PTZ setting". (☞"Instructions(Setting)" – "Operations" – "Built-in Viewer Operations" – "PTZ Settings")</p> <p>This position condition will also work if you manually move the PTZ, or if the PTZ is automatically moved via auto patrolling.</p> <p>[Set values: 0 – 19]</p> </td> </tr> </table> | Trigger1 | <p>Select the 1st trigger to perform an action.</p> <p>When using VN-H57 series</p> <p>[Set values: Pin Input1 Make, Pin Input1 Break, Pin Input2 Make, Pin Input2 Break, Position, Audio Detection1, Audio Detection2 (VN-H57U/H257U/H257VPU/H157WPU only), Motion Detection, Tampering Detection, Day/Night, Time]</p> <p>When using VN-H37 series</p> <p>[Set values: Position, Motion Detection, Tampering Detection, Time]</p> <p>Memo: _____</p> <ul style="list-style-type: none"> ● The trigger for [Trigger1] must first be set to "ON" in the respective [Advanced Settings] configuration page. ● If you set the [Trigger2] to "Disable", an action will be performed when only [Trigger1] is triggered. (VN-H57U/H257U/H257VPU/H157WPU only) ● When "Audio Detection1", "Audio Detection2", "Motion Detection", "Position", "Tampering Detection", "Day/Night", or "Time" is selected for the [Trigger1] trigger, [Interval] and [Trigger2] cannot be selected. (VN-H57U/H257U/H257VPU/H157WPU only) | Interval (VN-H57U/H257U/H257VPU/H157WPU only) | <p>This is available when both [Trigger1] and [Trigger2] are set.</p> <p>Specify the maximum interval between each trigger for [Trigger1] and [Trigger2]. An action will be performed if [Trigger2] occurs within the maximum time interval after [Trigger1] occurs.</p> <p>[Set values: 1 – 3600] sec</p> <p>Memo: _____</p> <ul style="list-style-type: none"> ● If you set an invalid value, the "Invalid value" dialog is displayed. ● If you leave a value blank, the "Blank value" dialog is displayed. | Trigger2 (VN-H57U/H257U/H257VPU/H157WPU only) | <p>Select the 2nd trigger to perform an action.</p> <p>[Set values: Disable, Pin Input1 Make, Pin Input1 Break, Pin Input2 Make, Pin Input2 Break]</p> | Position Number | <p>Enabled when "Position" is set for the trigger for [Trigger1].</p> <p>Perform registration of position numbers via the Built-in Viewer's "PTZ setting". (☞"Instructions(Setting)" – "Operations" – "Built-in Viewer Operations" – "PTZ Settings")</p> <p>This position condition will also work if you manually move the PTZ, or if the PTZ is automatically moved via auto patrolling.</p> <p>[Set values: 0 – 19]</p> |
| Trigger1 | <p>Select the 1st trigger to perform an action.</p> <p>When using VN-H57 series</p> <p>[Set values: Pin Input1 Make, Pin Input1 Break, Pin Input2 Make, Pin Input2 Break, Position, Audio Detection1, Audio Detection2 (VN-H57U/H257U/H257VPU/H157WPU only), Motion Detection, Tampering Detection, Day/Night, Time]</p> <p>When using VN-H37 series</p> <p>[Set values: Position, Motion Detection, Tampering Detection, Time]</p> <p>Memo: _____</p> <ul style="list-style-type: none"> ● The trigger for [Trigger1] must first be set to "ON" in the respective [Advanced Settings] configuration page. ● If you set the [Trigger2] to "Disable", an action will be performed when only [Trigger1] is triggered. (VN-H57U/H257U/H257VPU/H157WPU only) ● When "Audio Detection1", "Audio Detection2", "Motion Detection", "Position", "Tampering Detection", "Day/Night", or "Time" is selected for the [Trigger1] trigger, [Interval] and [Trigger2] cannot be selected. (VN-H57U/H257U/H257VPU/H157WPU only) | | | | | | | | | |
| Interval (VN-H57U/H257U/H257VPU/H157WPU only) | <p>This is available when both [Trigger1] and [Trigger2] are set.</p> <p>Specify the maximum interval between each trigger for [Trigger1] and [Trigger2]. An action will be performed if [Trigger2] occurs within the maximum time interval after [Trigger1] occurs.</p> <p>[Set values: 1 – 3600] sec</p> <p>Memo: _____</p> <ul style="list-style-type: none"> ● If you set an invalid value, the "Invalid value" dialog is displayed. ● If you leave a value blank, the "Blank value" dialog is displayed. | | | | | | | | | |
| Trigger2 (VN-H57U/H257U/H257VPU/H157WPU only) | <p>Select the 2nd trigger to perform an action.</p> <p>[Set values: Disable, Pin Input1 Make, Pin Input1 Break, Pin Input2 Make, Pin Input2 Break]</p> | | | | | | | | | |
| Position Number | <p>Enabled when "Position" is set for the trigger for [Trigger1].</p> <p>Perform registration of position numbers via the Built-in Viewer's "PTZ setting". (☞"Instructions(Setting)" – "Operations" – "Built-in Viewer Operations" – "PTZ Settings")</p> <p>This position condition will also work if you manually move the PTZ, or if the PTZ is automatically moved via auto patrolling.</p> <p>[Set values: 0 – 19]</p> | | | | | | | | | |

* The [Set values] in bold letters are factory defaults

Memo: _____

- If you set the same items for [Trigger1] and [Trigger2], the "Trigger1 and Trigger2 are the same." dialog is displayed and alarm recording is not started.

| No. | Item | Description | | | | | | | | | | | | | | | | |
|----------------------|---|--|----------------------|---|----------------------|--|----------------------|---|----------------------|---|----------------------|--|----------------------|--|----------------------|---|----------------------|--|
| ⑨ | Encode Setting | <p>When the Read Status is "ON", the setting for Encode Setting cannot be changed.</p> <p>To change the settings, select "OFF" for the recording item, push the [OK] button to stop recording, and then configure settings.</p> <p>If you set the recording item to "ON" and push the [OK] button when the encoding setting has not been set, the "Select an encoding setting." dialog is displayed and recording does not start.</p> <p>[Encode Setting]</p> <table border="1" data-bbox="469 568 1422 1727"> <tbody> <tr> <td data-bbox="469 568 635 714">Setting Pattern 1</td> <td data-bbox="635 568 1422 714">Encoder No.1 1920x1080, 5fps, 1024kbps, CBR, 5 I Frame Interval (SD Card REC)*¹ Encoder No.2 1280x720, 5fps, 1024kbps, CBR, 5 I Frame Interval Encoder No.3 640x360, 5fps, 512kbps, CBR, 5 I Frame Interval</td> </tr> <tr> <td data-bbox="469 714 635 860">Setting Pattern 2</td> <td data-bbox="635 714 1422 860">Encoder No.1 1920x1080, 5fps, 1024kbps, CBR, 5 I Frame Interval (SD Card REC)*¹ Encoder No.2 1280x720, 5fps, 768kbps, CBR, 5 I Frame Interval Encoder No.3 640x360, 5fps, 256kbps, CBR, 5 I Frame Interval</td> </tr> <tr> <td data-bbox="469 860 635 1005">Setting Pattern 3</td> <td data-bbox="635 860 1422 1005">Encoder No.1 1920x1080, 5fps, 2048kbps, CBR, 5 I Frame Interval Encoder No.2 1280x720, 5fps, 768kbps, CBR, 15 I Frame Interval (SD Card REC)*¹ Encoder No.3 640x360, 5fps, 512kbps, CBR, 5 I Frame Interval</td> </tr> <tr> <td data-bbox="469 1005 635 1151">Setting Pattern 4</td> <td data-bbox="635 1005 1422 1151">Encoder No.1 1920x1080, 5fps, 1024kbps, CBR, 5 I Frame Interval Encoder No.2 1280x720, 5fps, 768kbps, CBR, 5 I Frame Interval(SD Card REC)*¹ Encoder No.3 640x360, 5fps, 256kbps, CBR, 5 I Frame Interval</td> </tr> <tr> <td data-bbox="469 1151 635 1296">Setting Pattern 5</td> <td data-bbox="635 1151 1422 1296">Encoder No.1 1920x1080, 5fps, 1024kbps, CBR, 5 I Frame Interval Encoder No.2 1280x720, 5fps, 384kbps, CBR, 5 I Frame Interval (SD Card REC)*¹ Encoder No.3 640x360, 5fps, 128kbps, CBR, 5 I Frame Interval</td> </tr> <tr> <td data-bbox="469 1296 635 1442">Setting Pattern 6</td> <td data-bbox="635 1296 1422 1442">Encoder No.1 1920x1080, 5fps, 1024kbps, CBR, 5 I Frame Interval Encoder No.2 1280x720, 5fps, 768kbps, CBR, 5 I Frame Interval Encoder No.3 640x360, 5fps, 256kbps, CBR, 5 I Frame Interval (SD Card REC)*¹</td> </tr> <tr> <td data-bbox="469 1442 635 1588">Setting Pattern 7</td> <td data-bbox="635 1442 1422 1588">Encoder No.1 1920x1080, 5fps, 2048kbps, CBR, 5 I Frame Interval Encoder No.2 1280x720, 5fps, 1536kbps, CBR, 5 I Frame Interval Encoder No.3 640x360, 5fps, 128kbps, CBR, 5 I Frame Interval (SD Card REC)*¹</td> </tr> <tr> <td data-bbox="469 1588 635 1727">Setting Pattern 8</td> <td data-bbox="635 1588 1422 1727">Encoder No.1 1920x1080, 5fps, 1024kbps, CBR, 5 I Frame Interval Encoder No.2 1280x720, 5fps, 384kbps, CBR, 5 I Frame Interval Encoder No.3 640x360, 5fps, 128kbps, CBR, 5 I Frame Interval (SD Card REC)*¹</td> </tr> </tbody> </table> <p>¹:Video from the encoder number with the designation "(SD Card REC)" is recorded to the SD card.</p> | Setting Pattern 1 | Encoder No.1 1920x1080, 5fps, 1024kbps, CBR, 5 I Frame Interval (SD Card REC)* ¹ Encoder No.2 1280x720, 5fps, 1024kbps, CBR, 5 I Frame Interval Encoder No.3 640x360, 5fps, 512kbps, CBR, 5 I Frame Interval | Setting Pattern 2 | Encoder No.1 1920x1080, 5fps, 1024kbps, CBR, 5 I Frame Interval (SD Card REC)* ¹ Encoder No.2 1280x720, 5fps, 768kbps, CBR, 5 I Frame Interval Encoder No.3 640x360, 5fps, 256kbps, CBR, 5 I Frame Interval | Setting Pattern 3 | Encoder No.1 1920x1080, 5fps, 2048kbps, CBR, 5 I Frame Interval Encoder No.2 1280x720, 5fps, 768kbps, CBR, 15 I Frame Interval (SD Card REC)* ¹ Encoder No.3 640x360, 5fps, 512kbps, CBR, 5 I Frame Interval | Setting Pattern 4 | Encoder No.1 1920x1080, 5fps, 1024kbps, CBR, 5 I Frame Interval Encoder No.2 1280x720, 5fps, 768kbps, CBR, 5 I Frame Interval(SD Card REC)* ¹ Encoder No.3 640x360, 5fps, 256kbps, CBR, 5 I Frame Interval | Setting Pattern 5 | Encoder No.1 1920x1080, 5fps, 1024kbps, CBR, 5 I Frame Interval Encoder No.2 1280x720, 5fps, 384kbps, CBR, 5 I Frame Interval (SD Card REC)* ¹ Encoder No.3 640x360, 5fps, 128kbps, CBR, 5 I Frame Interval | Setting Pattern 6 | Encoder No.1 1920x1080, 5fps, 1024kbps, CBR, 5 I Frame Interval Encoder No.2 1280x720, 5fps, 768kbps, CBR, 5 I Frame Interval Encoder No.3 640x360, 5fps, 256kbps, CBR, 5 I Frame Interval (SD Card REC)* ¹ | Setting Pattern 7 | Encoder No.1 1920x1080, 5fps, 2048kbps, CBR, 5 I Frame Interval Encoder No.2 1280x720, 5fps, 1536kbps, CBR, 5 I Frame Interval Encoder No.3 640x360, 5fps, 128kbps, CBR, 5 I Frame Interval (SD Card REC)* ¹ | Setting Pattern 8 | Encoder No.1 1920x1080, 5fps, 1024kbps, CBR, 5 I Frame Interval Encoder No.2 1280x720, 5fps, 384kbps, CBR, 5 I Frame Interval Encoder No.3 640x360, 5fps, 128kbps, CBR, 5 I Frame Interval (SD Card REC)* ¹ |
| Setting Pattern 1 | Encoder No.1 1920x1080, 5fps, 1024kbps, CBR, 5 I Frame Interval (SD Card REC)* ¹ Encoder No.2 1280x720, 5fps, 1024kbps, CBR, 5 I Frame Interval Encoder No.3 640x360, 5fps, 512kbps, CBR, 5 I Frame Interval | | | | | | | | | | | | | | | | | |
| Setting Pattern 2 | Encoder No.1 1920x1080, 5fps, 1024kbps, CBR, 5 I Frame Interval (SD Card REC)* ¹ Encoder No.2 1280x720, 5fps, 768kbps, CBR, 5 I Frame Interval Encoder No.3 640x360, 5fps, 256kbps, CBR, 5 I Frame Interval | | | | | | | | | | | | | | | | | |
| Setting Pattern 3 | Encoder No.1 1920x1080, 5fps, 2048kbps, CBR, 5 I Frame Interval Encoder No.2 1280x720, 5fps, 768kbps, CBR, 15 I Frame Interval (SD Card REC)* ¹ Encoder No.3 640x360, 5fps, 512kbps, CBR, 5 I Frame Interval | | | | | | | | | | | | | | | | | |
| Setting Pattern 4 | Encoder No.1 1920x1080, 5fps, 1024kbps, CBR, 5 I Frame Interval Encoder No.2 1280x720, 5fps, 768kbps, CBR, 5 I Frame Interval(SD Card REC)* ¹ Encoder No.3 640x360, 5fps, 256kbps, CBR, 5 I Frame Interval | | | | | | | | | | | | | | | | | |
| Setting Pattern 5 | Encoder No.1 1920x1080, 5fps, 1024kbps, CBR, 5 I Frame Interval Encoder No.2 1280x720, 5fps, 384kbps, CBR, 5 I Frame Interval (SD Card REC)* ¹ Encoder No.3 640x360, 5fps, 128kbps, CBR, 5 I Frame Interval | | | | | | | | | | | | | | | | | |
| Setting Pattern 6 | Encoder No.1 1920x1080, 5fps, 1024kbps, CBR, 5 I Frame Interval Encoder No.2 1280x720, 5fps, 768kbps, CBR, 5 I Frame Interval Encoder No.3 640x360, 5fps, 256kbps, CBR, 5 I Frame Interval (SD Card REC)* ¹ | | | | | | | | | | | | | | | | | |
| Setting Pattern 7 | Encoder No.1 1920x1080, 5fps, 2048kbps, CBR, 5 I Frame Interval Encoder No.2 1280x720, 5fps, 1536kbps, CBR, 5 I Frame Interval Encoder No.3 640x360, 5fps, 128kbps, CBR, 5 I Frame Interval (SD Card REC)* ¹ | | | | | | | | | | | | | | | | | |
| Setting Pattern 8 | Encoder No.1 1920x1080, 5fps, 1024kbps, CBR, 5 I Frame Interval Encoder No.2 1280x720, 5fps, 384kbps, CBR, 5 I Frame Interval Encoder No.3 640x360, 5fps, 128kbps, CBR, 5 I Frame Interval (SD Card REC)* ¹ | | | | | | | | | | | | | | | | | |

* The [Set values] in bold letters are factory defaults

■ Recording Time for SD Card Recording Function

● Recording time table

| Setting Pattern | Encoding details for SD card recording | Available recording time for each SD card size [in hours] | | | |
|-------------------|--|---|------|-------|-------|
| | | 4 GB | 8 GB | 16 GB | 32 GB |
| Setting Pattern 1 | 1920x1080, 5fps, 1024kbps, CBR, 5 Frame Interval | 5 | 12 | 25 | 52 |
| Setting Pattern 2 | | | | | |
| Setting Pattern 3 | 1280x720, 5fps, 768kbps, CBR, 5 Frame Interval | 7 | 15 | 34 | 70 |
| Setting Pattern 4 | | | | | |
| Setting Pattern 5 | 1280x720, 5fps, 384kbps, CBR, 5 Frame Interval | 12 | 27 | 58 | 120 |
| Setting Pattern 6 | 640x360, 5fps, 256kbps, CBR, 5 Frame Interval | 19 | 42 | 92 | 189 |
| Setting Pattern 7 | 640x360, 5fps, 128kbps, CBR, 5 Frame Interval | 34 | 78 | 169 | 384 |
| Setting Pattern 8 | | | | | |

■ Additional Cautions

● Cautions for setting the detection function

You cannot set motion detection, audio detection, and tampering detection at the same time.

An error message is displayed when one detection function setting is already enabled and you try to select another. Check the content of the error message, set the already-enabled detection function to "OFF", and then reconfigure the detection function. (☞ "Instructions (Setting)" – "Operations" – "Motion Detection Page", "Audio Detection Page", "Tampering Detection Pages")

● Cautions for changing the encoding setting

When changing an already-configured encoding setting on the Basic Settings 2 page, Encoding page, or SD recording page, PTZ and the auto patrol settings are cancelled.

In this case, set PTZ and the auto patrol settings again after setting the encoding setting. (☞ "Instructions (Setting)" – "Operations" – "PTZ Page", "Auto Patrol Page")

● Checking the software version

Check on the following screen that the software version is "1.4.30".

Built-in Viewer
Basic Setting1
Basic Setting2
Advanced Settings
Camera
Encoding
Alarm
Alarm Environment
FTP Recording
SD Card Record
PTZ
Auto Patrol
Privacy Mask
Motion Detection
Tampering Detection
Network
Protocol
Multicast
Access Restrictions
Time
Password
Maintenance
LED State
Miscellaneous
Operation
Settings
Position List
Patrol Settings

Free Open Source Software

Software information regarding this product, Model No. VN-H57

- SOFTWARE LICENSE AGREEMENT
- Important Notice concerning the Software

The Software contained in this product, among others, consists of the following software:

- (1) the software which is developed by or for JVC KENWOOD Corporation;
- (2) the software which is licensed under the below:
 - GNU GENERAL PUBLIC LICENSE Version 2.0 (GPLv2.0)
 - GNU LESSER GENERAL PUBLIC LICENSE Version 2.1 (LGPLv2.1)

Also this product includes:

- (3) the software uses libraries from the FFmpeg project under the LGPLv2.1;
- (4) the software which is licensed under the Apache License, Version 2.0 (the "License"); you may not use this file except in compliance with the License. You may obtain a copy of the License at <http://www.apache.org/licenses/LICENSE-2.0>
- (5) This product includes libhttp://www.apache.org/licenses/LICENSE-2.0

Unless required by applicable law or agreed to in writing, software distributed under the License is distributed on an "AS IS" BASIS, WITHOUT WARRANTIES OR CONDITIONS OF ANY KIND, either express or implied. See the License for the specific language governing permissions and limitations under the License.

Copyright (c) 2004, Jan Kneschke, incremental
All rights reserved.

Redistribution and use in source and binary forms, with or without modification, are permitted provided that the following conditions are met:

- Redistributions of source code must retain the above copyright notice, this list of conditions and the following disclaimer.
- Redistributions in binary form must reproduce the above copyright notice, this list of conditions and the following disclaimer in the documentation and/or other materials provided with the distribution.

Check that this is "1.4.30".

Click [Advanced Settings] and [Miscellaneous]

■ Troubleshooting

Check the following items if you cannot record to an SD card.

- Format the SD card via the camera. (☞ Page 14)
- Disengage the lock on the SD card.
- Use an SD card that is compatible with this camera. (☞ Page 4)
- Follow the instructions in [SD Card Record Page] (☞ Page 12) to enable SD card recording settings.

JVC